



ACME MANUFACTURING CORP.

6532 TOWER LANE, CLAREMORE, OK. 74019

ENGINEERED PRODUCTS BY CRAFTSMEN

Dektite™ Pipe Curb Type DPC

STANDARD FEATURES

Constructed of 18 ga. galv. steel with continuous welded seams and integral base plate for water tightness and extra strength.

Lined with 1½" fiberglass fire proof sound attenuating thermal insulation.

2 x 2 treated wood nailer.

Galvanized flashing cap.

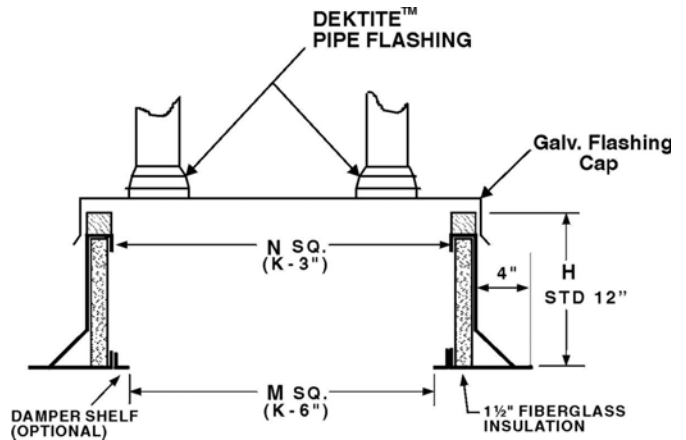
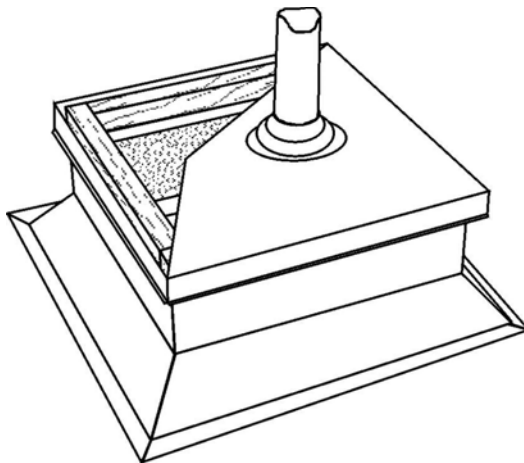
Dektite™ pipe flashing field fastened to galvanized flashing cap.

Uses SF or RF curb. Curb style must be specified.

OPTIONS

- Constructed of .063" aluminum.
- Interior metal liner.
- Heights of 8, 14, 16, 18, 20, 24".
- Damper shelf – standard or custom size opening.
- Heavy-gage construction.

PROJECT	
LOCATION	
ARCHITECT	
ENGINEER	
CONTRACTOR	
SUBMITTED BY	
DATE	PO#



SPECIFICATIONS AND DIMENSIONS

REFERENCE	QUAN.	O.D. CURB	PIPE SIZE	CURB TYPE	H	OPTIONS